

# Metron 07 flatLine

**METAL DETECTION**

**SLIM METAL DETECTOR FOR MOUNTING BETWEEN MULTIHEAD WEIGHERS AND VERTICAL BAG FILLERS.**

**Reliable** *in Process and Detection*  
**Durable** *in Technology and Performance*  
**Easy** *in Installation and Handling*

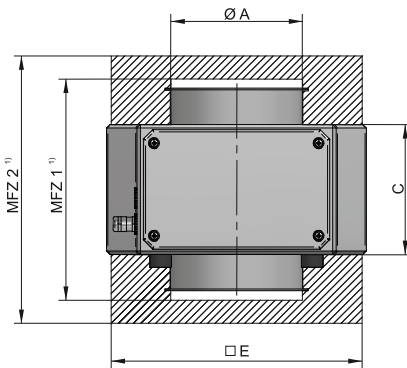


- Digital signal processing for best detection
- Strong shielding against external noise
- Process and condition monitoring
- Exchangeable hoppers for various applications
- Failsafe storage of all system parameters
- Sensor head fully sealed
- Network connectivity and data management
- Password protected user management
- Hygienic Design without dead spots
- Highest standard of detection accuracy with ultimate operational safety.
- Compliant with quality surveillance rules according to HACCP, IFS, BRC, SQF.

### Applications

Quality inspection  
 (to meet the requirement of  
 ISO 9000, HACCP, IFS, BRC, SQF)  
 Machinery protection

### Metal Free Zone (MTZ)



#### Calculating the 'metal free zone' DN 100 - DN 200

**For Non-moving Metals**  
 $MFZ1 = C + 100\text{mm}$

**For Moving Metals**  
 $MFZ2 = 3 \times A$

#### Calculating the 'metal free zone' DN 250

**For Non-moving Metals**

**For Moving Metals**

$MFZ1 = C + 170\text{mm}$

$MFZ2 = 3 \times A$

Position the detector in the middle of the 'metal free zone'  
 For the other dimensions: position the detector symmetrical in relation to the aperture