



meTRON 07 flatLine

METAL DETECTION

SLIM METAL DETECTOR FOR MOUNTING BETWEEN MULTIHEAD WEIGHERS AND VERTICAL BAG FILLERS.

Reliable *in Process and Detection*
Durable *in Technology and Performance*
Easy *in Installation and Handling*

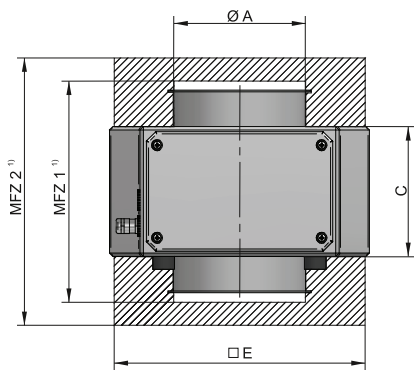
- Digital signal processing for best detection
- Strong shielding against external noise
- Process and condition monitoring
- Exchangeable hoppers for various applications
- Failsafe storage of all system parameters
- Sensor head fully sealed
- Network connectivity and data management
- Password protected user management
- Hygienic Design without dead spots
- Highest standard of detection accuracy with ultimate operational safety.
- Compliant with quality surveillance rules according to HACCP, IFS, BRC, SQF.



Applications

Quality inspection
(to meet the requirement of
ISO 9000, HACCP, IFS, BRC, SQF)
Machinery protection

Metal Free Zone (MTZ)



Calculating the 'metal free zone' DN 100 - DN 200

For Non-moving Metals
MFZ1 = C + 100mm

For Moving Metals
MFZ 2 = 3 x A

Calculating the 'metal free zone' DN 250

For Non-moving Metals

For Moving Metals

MFZ1 = C + 170mm

MFZ 2 = 3 x A

Position the detector in the middle of the 'metal free zone'
For the other dimensions: position the detector symmetrical in relation to the aperture