



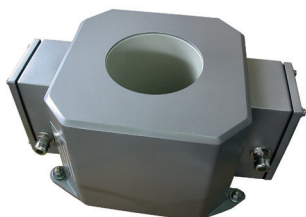
meTRON 05 CR

METAL DETECTION

CLOSED TUNNEL TYPE DETECTOR WITH CIRCULAR APERTURE FOR INSTALLATION IN GRAVITY OR VACUUM/PRESSURE CONVEYING LINES

Reliable in Process and Detection
Durable in Technology and Performance
Easy in Installation and Handling

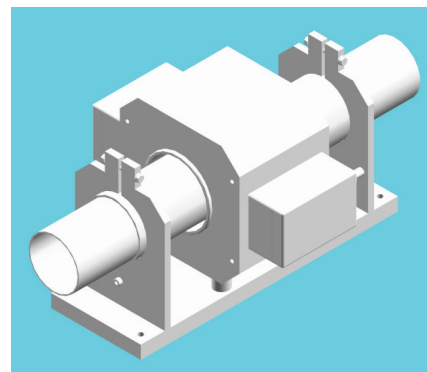
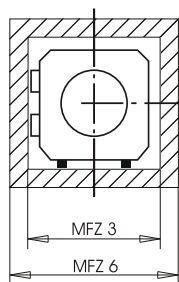
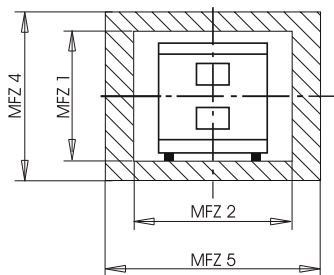
- Metal detector for installation in pipe systems
- Detects all metals encapsulated or as loose parts.
- Highest sensitivity even in rough industrial environments.
- Used for quality control or machine protection.
- User friendly and reliable technology
- Horizontal or vertical mount
- The integrated signal processor (DSP) is the precondition for digital, 2 channel signal processing, even with conveying speeds as high as 30 meters/sec.



Applications

Quality inspection (to meet the requirement of ISO9000, HAACP, IFS, BRC SQF)
Machinery protection

Metal Free Zone (MTZ)



Calculating the 'metal free zone'

For Non-moving Metals

MFZ 1 = SH = 60mm

MFZ 2 = L + LW

MFZ 3 = 2 LW

For moving metals

MFZ 4 = 4 LW + 30mm

MFZ 5 = L + 3.5 LW

MFZ 6 = 4 LW

Position the detector aperture in the middle of the 'metal free zone'
For the other levels (MFZ 1,3,4,and 6) position the detector symmetrical in relation to the aperture.