



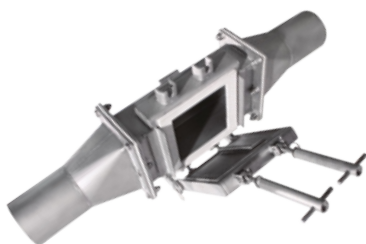
In-Line Magnets for Gravity or Pneumatic Systems

Gravity and Pneumatic In-Line Magnets feature full-flow architecture that leaves the product stream unobstructed. Tapered transitions guide material directly over the face of the hinged plate magnet, which swings away from the housing for quick external cleaning. Rare Earth Magnets are standard, but other options are available.

Gravity In-line Magnets (GIM)

Allows the use of our powerful Plate Magnets in round, sloping spouting where material is under gravity flow. For effective tramp capture, spouting should be angled no more than 60° from horizontal.

- Tapered step magnet
- All finishes available including: food and sanitary
- Ceramic and High-Intensity (NHI) Rare Earth are available



Pneumatic In-Line Magnets (PIM)

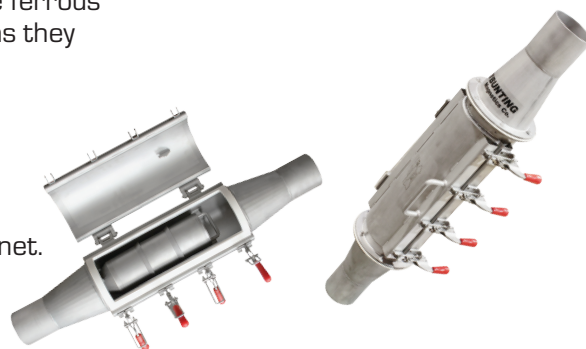
Design features full-flow architecture that leaves the product stream unobstructed. Tapered transitions guide material directly over the face of the hinged plate magnet, which swings away from the housing for quick external cleaning.

- Designed for unobstructed product flow.
- Compression couplings speed in-line installation.
- For dilute phase conveying up to 15 psi.
- Best suited for horizontal installation, portable cart available.
- Powerful magnetic field covers entire cross-section of product flow.
- High-energy rare earth tapered step plate magnets are standard.
- Magnet swings out for easy cleaning.
- All finishes available including food and sanitary.

Center-Flow Magnets (CFM)

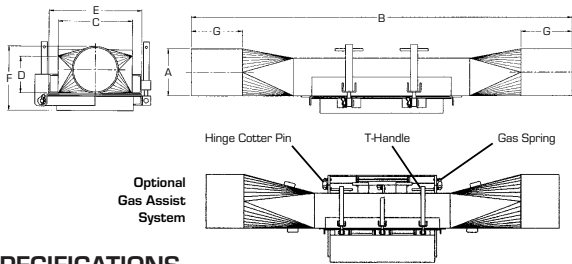
Center-Flow In-Line Magnet Separators are engineered to remove ferrous fines as well as larger pieces of tramp iron from dry particulates as they travel through dilute-phase pneumatic conveying lines.

- Installs easily in any position.
- Placement in vertical run makes optimum use of magnetic field.
- For dilute phase conveying up to 15 psi.
- Durable stainless steel nose cone directs material around magnet.
- Unclamp the cover and remove the magnet for cleaning.
- High-energy rare earth magnets are standard.
- Optional Clear View Inspection Port.





Pneumatic In-Line Magnets (PIM)



SPECIFICATIONS

General material: 11 Ga. 302/304 stainless steel with standard size tube ends.

Magnet material: High-density Ceramic (CR) permanent magnetic material. Rare Earth (NE) models available.

Magnet design: Standard plate magnet with 400 series stainless steel exposed pole face. Other face styles available.

Construction: Housing is seam welded into an integral unit. Magnet furnished with hinge, latches, and silicone gasket. Compression couplings for installation and special adapters are available upon request.

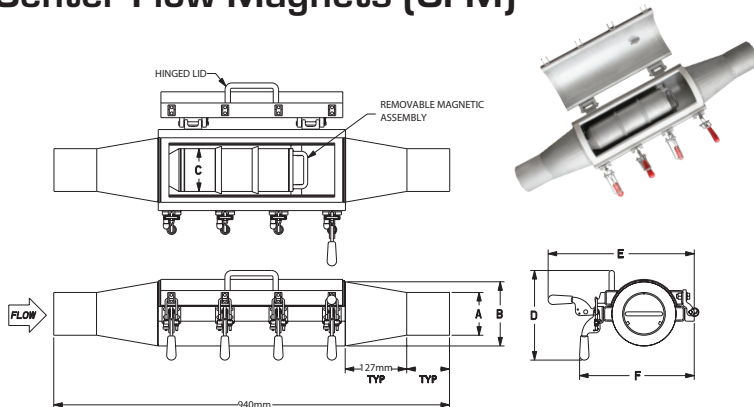
Method of cleaning: Manual, from outside of housing, utilizing hinged swing-away magnet. Self cleaning models available (SC).

Sizes: Available in 8cm through 25cm line sizes. Special sizes available upon request.

Model No.	A*	B	C	D	E	F	G
PIM-2-CR	50	864	100	25	150	92	140
PIM-2-NE	50	812	100	25	150	85	140
PIM-3-CR	75	914	100	75	150	146	140
PIM-3-NE	75	812	100	75	150	111	140
PIM-4-CR	100	914	150	87	200	171	140
PIM-4-NE	100	812	150	87	200	146	140
PIM-5-CR	125	104	200	100	250	257	140
PIM-5-NE	125	965	200	100	250	171	140
PIM-6-CR	150	1397	300	100	350	282	177
PIM-6-NE	15-	1320	300	100	350	196	177
PIM-8-CR	200	1549	350	125	400	374	177
PIM-8-NE	200	1346	350	125	400	266	177
PIM-10-CR	250	1651	400	165	457	425	177
PIM-10-NE	250	1447	400	165	457	316	177



Center-Flow Magnets (CFM)



Model No.	A	B	C	D	E	F
CFM-3-NE	76	152	101	213	359	273
CFM-4-NE	101	152	101	213	359	273
CFM-5-NE	127	179	101	238	359	298
CFM-6-NE	152	203	127	267	359	336

- Please specify tubing or pipe size when ordering
- Other magnetic loads available
- Food Grade Construction Available
- Rated for up to 15 PSI

Gravity In-Line Magnets (GIM)

SPECIFICATIONS

General material: 13 Ga. 302/304 stainless steel with standard size tube ends.

Magnet material: High-density Ceramic (CR) permanent magnetic material. Rare Earth (NE) models available.

Magnet design: Standard plate magnet with 400 series stainless steel exposed pole face. Other face styles available.

Construction: Housing is seam welded into an integral unit. Magnet furnished with hinge, latches, and silicone gasket. Compression couplings for installation and special adapters are available upon request.

Method of cleaning: Manual, from outside of housing, utilizing hinged swing-away magnet. Self cleaning models available (SC).

Sizes: Available in 13cm through 30cm line sizes. Special sizes available upon request.

Model No	A	B	C	D	E	F	G	H
GIM-5	125	838	200	100	250	196	140	400
GIM-5-NE	125	736	200	100	250	163	140	400
GIM-6	150	965	300	100	355	196	140	400
GIM-6-NE	150	863	300	1090	355	163	140	400
GIM-8	200	1041	350	125	406	196	140	400
GIM-8-NE	200	965	350	125	406	163	140	400
GIM-10	250	1219	400	165	457	196	140	400
GIM-10-NE	250	1016	400	165	457	163	140	400
GIM-12	300	1295	550	165	609	196	140	400
GIM-12-NE	300	1092	550	165	609	163	140	400

